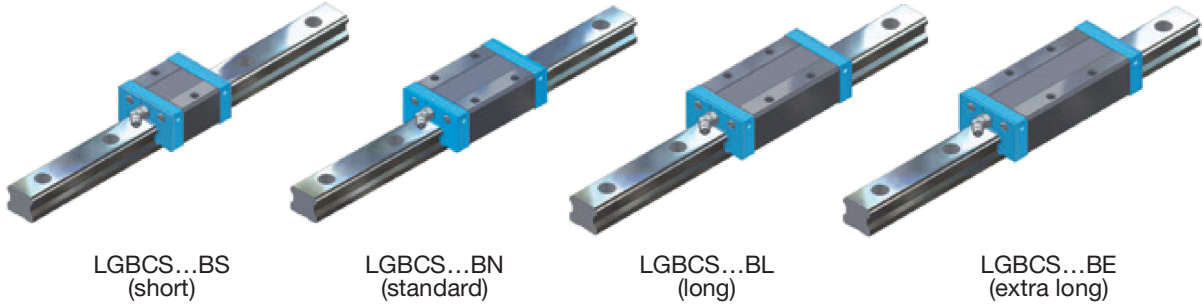


7.5 LGBCS...B

Linear guide with ball chain, carriages in block design, flat design height



LGBCS...BS
(short)

LGBCS...BN
(standard)

LGBCS...BL
(long)

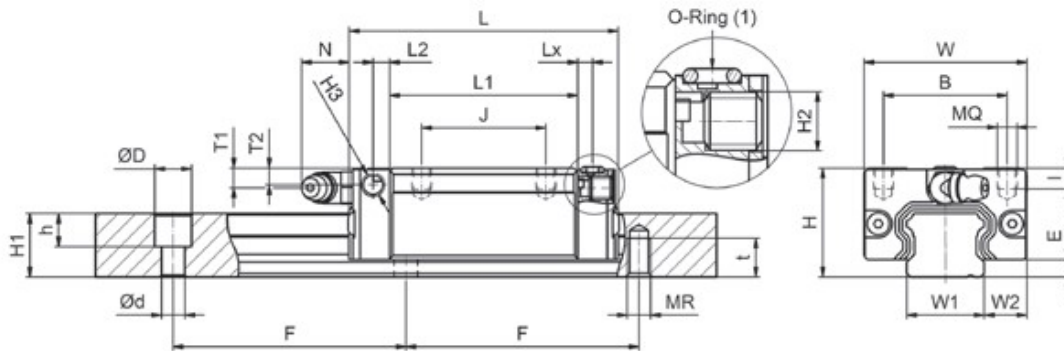
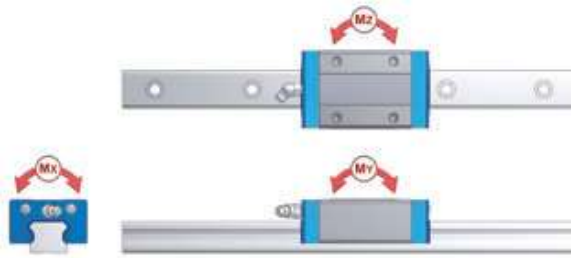
LGBCS...BE
(extra long)

Example of order code

LGBCS 25 BN 2 SS L 02000 N Z1 - 2 - 0 -20.0 N*

*Explanation to type code in Chapter 8

| | | System mm | | | | | Carriage mm | | | | | | | | | | | |
|---------|----|--------------|-----|------|------|-------|----------------|----|------|------|-------|------------|------|------|------|-------|------------|-----|
| | | H | W | W2 | E | L | B | J | MQ | I | L1 | H2 | T1 | N | T2 | L2 | H3 | Lx |
| LGBCS15 | BS | 24 | 34 | 9,5 | 3,4 | 40,6 | 26 | -- | M 4 | 4,8 | 22,2 | M 3 x 0,5 | 5,5 | 5,7 | 4,5 | 4,20 | M 3 x 0,5 | 3,0 |
| LGBCS15 | BN | 24 | 34 | 9,5 | 3,4 | 58,6 | 26 | 26 | M 4 | 4,8 | 40,2 | M 3 x 0,5 | 5,5 | 5,7 | 4,5 | 4,20 | M 3 x 0,5 | 3,0 |
| LGBCS15 | BL | 24 | 34 | 9,5 | 3,4 | 66,1 | 26 | 26 | M 4 | 4,8 | 47,7 | M 3 x 0,5 | 5,5 | 5,7 | 4,5 | 4,20 | M 3 x 0,5 | 3,0 |
| LGBCS20 | BS | 28 | 42 | 11,0 | 4,5 | 49,1 | 32 | -- | M 5 | 5,5 | 27,5 | M 6 x 1,0 | 5,1 | 15,6 | 4,3 | 4,25 | M 6 x 1,0 | 3,8 |
| LGBCS20 | BN | 28 | 42 | 11,0 | 4,5 | 70,1 | 32 | 32 | M 5 | 5,5 | 48,5 | M 6 x 1,0 | 7,1 | 15,6 | 4,3 | 4,25 | M 6 x 1,0 | 3,8 |
| LGBCS25 | BS | 33 | 48 | 12,5 | 5,8 | 54,0 | 35 | -- | M 6 | 6,8 | 32,3 | M 6 x 1,0 | 7,2 | 12,2 | 6,4 | 4,65 | M 6 x 1,0 | 5,0 |
| LGBCS25 | BN | 33 | 48 | 12,5 | 5,8 | 79,2 | 35 | 35 | M 6 | 6,8 | 57,5 | M 6 x 1,0 | 7,2 | 12,2 | 6,4 | 4,65 | M 6 x 1,0 | 5,0 |
| LGBCS30 | BS | 42 | 60 | 16,0 | 7,0 | 64,2 | 40 | -- | M 8 | 10,0 | 37,2 | M 6 x 1,0 | 10,0 | 11,7 | 5,5 | 6,00 | M 6 x 1,0 | 5,0 |
| LGBCS30 | BN | 42 | 60 | 16,0 | 7,0 | 94,8 | 40 | 40 | M 8 | 10,0 | 67,8 | M 6 x 1,0 | 10,0 | 11,7 | 5,5 | 6,00 | M 6 x 1,0 | 5,0 |
| LGBCS30 | BL | 42 | 60 | 16,0 | 7,0 | 105,0 | 40 | 40 | M 8 | 10,0 | 78,0 | M 6 x 1,0 | 10,0 | 11,7 | 5,5 | 6,00 | M 6 x 1,0 | 5,0 |
| LGBCS30 | BE | 42 | 60 | 16,0 | 7,0 | 130,5 | 40 | 60 | M 8 | 10,0 | 103,5 | M 6 x 1,0 | 10,0 | 11,7 | 5,5 | 6,00 | M 6 x 1,0 | 5,0 |
| LGBCS35 | BS | 48 | 70 | 18,0 | 7,5 | 75,5 | 50 | -- | M 8 | 10,0 | 44,5 | M 6 x 1,0 | 11,5 | 11,5 | 10,5 | 7,25 | M 6 x 1,0 | 5,0 |
| LGBCS35 | BN | 48 | 70 | 18,0 | 7,5 | 111,5 | 50 | 50 | M 8 | 10,0 | 80,5 | M 6 x 1,0 | 11,5 | 11,5 | 10,5 | 7,25 | M 6 x 1,0 | 5,0 |
| LGBCS35 | BL | 48 | 70 | 18,0 | 7,5 | 123,5 | 50 | 50 | M 8 | 10,0 | 92,5 | M 6 x 1,0 | 11,5 | 11,5 | 10,5 | 7,25 | M 6 x 1,0 | 5,0 |
| LGBCS35 | BE | 48 | 70 | 18,0 | 7,5 | 153,5 | 50 | 72 | M 8 | 10,0 | 122,5 | M 6 x 1,0 | 11,5 | 11,5 | 10,5 | 7,25 | M 6 x 1,0 | 5,0 |
| LGBCS45 | BN | 60 | 86 | 20,5 | 8,9 | 129,0 | 60 | 60 | M 10 | 15,5 | 94,0 | M 8 x 1,25 | 14,4 | 11,8 | 14,5 | 8,00 | M 8 x 1,25 | 7,5 |
| LGBCS45 | BL | 60 | 86 | 20,5 | 8,9 | 145,0 | 60 | 60 | M 10 | 15,5 | 110,0 | M 8 x 1,25 | 14,4 | 11,8 | 14,5 | 8,00 | M 8 x 1,25 | 7,5 |
| LGBCS45 | BE | 60 | 86 | 20,5 | 8,9 | 174,0 | 60 | 80 | M 10 | 15,5 | 139,0 | M 8 x 1,25 | 14,4 | 11,8 | 14,5 | 8,00 | M 8 x 1,25 | 7,5 |
| LGBCS55 | BN | 70 | 100 | 23,5 | 12,7 | 155,0 | 75 | 75 | M 12 | 18,0 | 116,0 | M 8 x 1,25 | 14,0 | 11,8 | 14,5 | 10,00 | M 8 x 1,25 | 7,5 |
| LGBCS55 | BL | 70 | 100 | 23,5 | 12,7 | 193,0 | 75 | 75 | M 12 | 18,0 | 154,0 | M 8 x 1,25 | 14,0 | 11,8 | 14,5 | 10,00 | M 8 x 1,25 | 7,5 |
| LGBCS55 | BE | 70 | 100 | 23,5 | 12,7 | 210,0 | 75 | 95 | M 12 | 18,0 | 171,0 | M 8 x 1,25 | 14,0 | 11,8 | 14,5 | 10,00 | M 8 x 1,25 | 7,5 |



| | | Rail [mm] | | | | | | | Load rating | | | | | Mass | | |
|----|------|-----------|------|------|-----------|------|------|--------|-------------|-------|-------|-------|----------|-------|------------|--|
| | | Version L | | | Version C | | | | kN | | kNm | | | kg | kg/ m | |
| W1 | H1 | F | d | D | h | MR | t | C | C0 | MX | MY | MZ | Carriage | Rail | | |
| 15 | 13,0 | 60 | 4,5 | 7,5 | 5,5 | M 5 | 8,0 | 5,81 | 9,90 | 0,069 | 0,032 | 0,032 | 0,10 | 1,28 | LGBCS15 BS | |
| 15 | 13,0 | 60 | 4,5 | 7,5 | 5,5 | M 5 | 8,0 | 11,67 | 19,90 | 0,137 | 0,120 | 0,120 | 0,17 | 1,28 | LGBCS15 BN | |
| 15 | 13,0 | 60 | 4,5 | 7,5 | 5,5 | M 5 | 8,0 | 14,12 | 24,05 | 0,166 | 0,171 | 0,171 | 0,18 | 1,28 | LGBCS15 BL | |
| 20 | 16,3 | 60 | 6,0 | 9,5 | 8,5 | M 6 | 10,0 | 9,25 | 15,93 | 0,148 | 0,066 | 0,066 | 0,17 | 2,15 | LGBCS20 BS | |
| 20 | 16,3 | 60 | 6,0 | 9,5 | 8,5 | M 6 | 10,0 | 17,98 | 30,96 | 0,289 | 0,224 | 0,224 | 0,26 | 2,15 | LGBCS20 BN | |
| 23 | 19,2 | 60 | 7,0 | 11,0 | 9,0 | M 6 | 12,0 | 12,87 | 21,34 | 0,230 | 0,103 | 0,103 | 0,21 | 2,88 | LGBCS25 BS | |
| 23 | 19,2 | 60 | 7,0 | 11,0 | 9,0 | M 6 | 12,0 | 25,25 | 41,73 | 0,447 | 0,358 | 0,358 | 0,38 | 2,88 | LGBCS25 BN | |
| 28 | 22,8 | 80 | 9,0 | 14,0 | 12,0 | M 8 | 15,0 | 18,50 | 27,51 | 0,356 | 0,153 | 0,153 | 0,50 | 4,45 | LGBCS30 BS | |
| 28 | 22,8 | 80 | 9,0 | 14,0 | 12,0 | M 8 | 15,0 | 37,33 | 55,50 | 0,719 | 0,560 | 0,560 | 0,80 | 4,45 | LGBCS30 BN | |
| 28 | 22,8 | 80 | 9,0 | 14,0 | 12,0 | M 8 | 15,0 | 48,35 | 71,88 | 0,931 | 0,836 | 0,836 | 0,94 | 4,45 | LGBCS30 BL | |
| 28 | 22,8 | 80 | 9,0 | 14,0 | 12,0 | M 8 | 15,0 | 53,83 | 88,18 | 1,142 | 1,361 | 1,361 | 1,16 | 4,45 | LGBCS30 BE | |
| 34 | 26,0 | 80 | 9,0 | 14,0 | 12,0 | M 8 | 17,0 | 26,72 | 41,43 | 0,655 | 0,275 | 0,275 | 0,80 | 6,25 | LGBCS35 BS | |
| 34 | 26,0 | 80 | 9,0 | 14,0 | 12,0 | M 8 | 17,0 | 53,31 | 82,66 | 1,307 | 0,991 | 0,991 | 1,20 | 6,25 | LGBCS35 BN | |
| 34 | 26,0 | 80 | 9,0 | 14,0 | 12,0 | M 8 | 17,0 | 66,61 | 103,29 | 1,633 | 1,424 | 1,424 | 1,40 | 6,25 | LGBCS35 BL | |
| 34 | 26,0 | 80 | 9,0 | 14,0 | 12,0 | M 8 | 17,0 | 73,29 | 127,68 | 2,020 | 2,330 | 2,330 | 1,84 | 6,25 | LGBCS35 BE | |
| 45 | 31,1 | 105 | 14,0 | 20,0 | 17,0 | M 12 | 20,0 | 73,14 | 111,30 | 2,353 | 1,559 | 1,559 | 1,64 | 9,60 | LGBCS45 BN | |
| 45 | 31,1 | 105 | 14,0 | 20,0 | 17,0 | M 12 | 20,0 | 86,99 | 132,39 | 2,798 | 2,170 | 2,170 | 1,93 | 9,60 | LGBCS45 BL | |
| 45 | 31,1 | 105 | 14,0 | 20,0 | 17,0 | M 12 | 20,0 | 100,52 | 166,87 | 3,527 | 3,455 | 3,455 | 2,42 | 9,60 | LGBCS45 BE | |
| 53 | 38,0 | 120 | 16,0 | 23,0 | 20,0 | M 14 | 24,0 | 88,26 | 136,62 | 3,385 | 2,361 | 2,361 | 2,67 | 13,80 | LGBCS55 BN | |
| 53 | 38,0 | 120 | 16,0 | 23,0 | 20,0 | M 14 | 24,0 | 119,10 | 183,14 | 4,538 | 4,202 | 4,202 | 3,57 | 13,80 | LGBCS55 BL | |
| 53 | 38,0 | 120 | 16,0 | 23,0 | 20,0 | M 14 | 24,0 | 161,43 | 259,71 | 6,430 | 6,617 | 6,617 | 3,97 | 13,80 | LGBCS55 BE | |