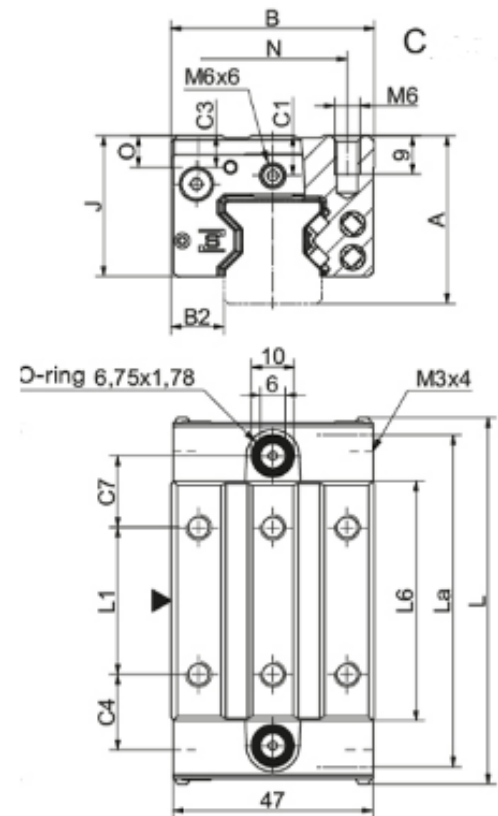


Schneeberger MRW35 -C-G0-V2

ALMOTION

Dimensions

A	System height in mm	55
B	Carriage width in mm	70
B2	Distance between locating faces	18
C1	Position of center front lube hole	14
C3	Position of lateral lube hole	14
C4	Position of lateral lube hole	23
C7	Position of lateral lube hole	20
J	Carriage height	47
L	Carriage length	116
L1	Exterior fixing hole spacing	50
L6	Steel body length	76
N	Lateral fixing hole spacing	50
O	Reference face height	8



General

Material number	580 103 267
Type (MONORAIL Carriage)	MR
Carriage build form	C
Buildsize	35
Accuracy class	G0
Preload class	V2
Coating	CN

Loads & weights

C0	Static load capacity (N)	93,400
C100	Dynamic load capacity (N)	52,000
M0Q	Static cross moment capacity (Nm)	2,008
M0L	Static longitud. moment capacity (Nm)	1,189
MQ	Dyn. cross moment capacity (Nm)	1,118
ML	Dyn. longitud. moment capacity (Nm)	662
	Weight Rail (kg)	1.5