

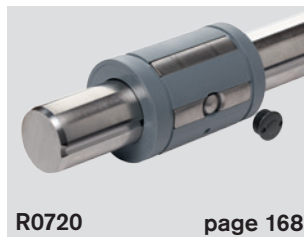
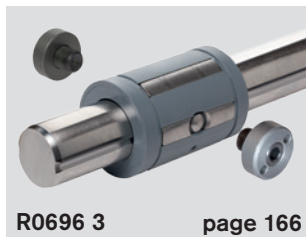
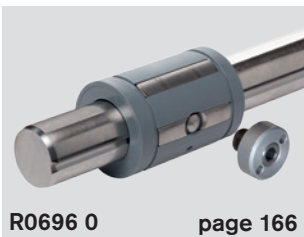
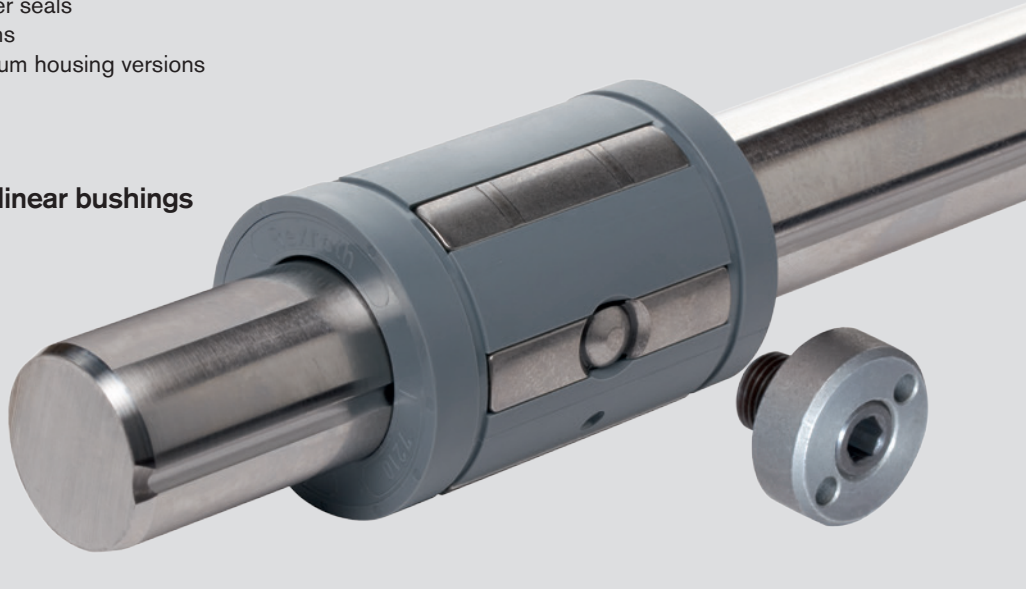
Torque-resistant linear bushings

## Product overview

### The benefits

- For self-supporting, torsion-resistant guides with only one shaft
- 1, 2 or 4 ball guide grooves for transferring torque
- Large variety of forms
- Torque-resistant linear bushings with adjusting screw come set to zero clearance
- Matching shaft profiles with machined ball guide grooves
- Shafts machined to customer specification
- Optional separate wiper seals
- Various flanged versions
- Various steel or aluminum housing versions

### Torque-resistant linear bushings



Torque-resistant linear bushing type 1, one ball guide groove

Torque-resistant linear bushing type 2, two ball guide grooves

Torque-resistant compact linear bushing

### Explanation of short product name

Sample linear bushing:

Torque-resistant linear bushing with shaft  
KBDRC2-20-WV-X90-1200

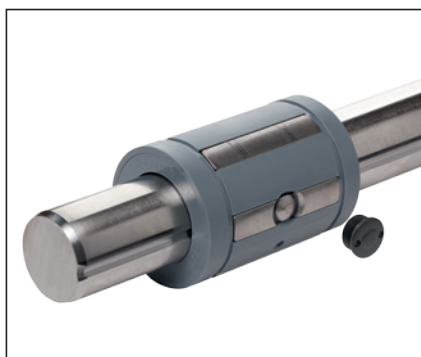
Definition of codes		KB	DR	C	2	20	WV-X90	1200		
Type	Linear bushing = KB								1200 = Standard length as per table	Shaft length (mm)
Series	Torque = DR								Special = Customized shaft	
	Compact = C								K = Shaft length cut to size	
Track	One ball guide groove = 1								X90 = X90 stainless steel shaft	Shaft
	Two ball guide grooves = 2								WO = Hollow shaft	
Shaft diameter	= 20								WV = Shaft included	

Torque-resistant compact linear bushings

### Torque-resistant compact linear bushings, R0720

**Design**

- Ball retainer and outer sleeve made of PA or POM
  - Hardened steel bearing plates
  - Balls made of rolling bearing steel
  - Precision steel shaft with ball guide groove
  - Hardened steel set screw
  - Steel lock nut
- One ball guide groove for diameter shafts 12 and 16 mm
  - Two ball guide grooves for diameter shafts 20 mm and higher



Shaft Ø d (mm)	Material number for torque-resistant linear bushing with shaft		
	Standard length as per table	Shaft length cut to size <sup>1</sup>	Customized shaft
	KBDRC.- ... -WV- ...	KBDRC.- ... -WV-K	KBDRC.- ... -SPECIAL
12	R0720 012 80	R0720 012 89	R0720 012 86
16	R0720 016 80	R0720 016 89	R0720 016 86
20	R0720 320 80	R0720 320 89	R0720 320 86
25	R0720 325 80	R0720 325 89	R0720 325 86
30	R0720 330 80	R0720 330 89	R0720 330 86
40	R0720 340 80	R0720 340 89	R0720 340 86
50	R0720 350 80	R0720 350 89	R0720 350 86

- 85 Shaft length 900 mm
- 87 Shaft length 1,200 mm
- 88 Shaft length 2,000 mm

Material number for torque-resistant compact linear bushing without shaft:

Shaft diameters 12 and 16: R0720 0.. 00

Shaft diameters 20 to 50: R0720 3.. 00

1) Also available with hollow shaft for shaft diameters 25 and higher: R0720 ... 69 or with ISO 683-17/EN 10088 stainless steel solid shaft: R0720 ... 79.



Wiper seals

Shaft Ø d (mm)	Material number Wiper seals	Weight (g)
12	R1331 112 00	1.6
16	R1331 116 00	2.0
20	R1331 320 00	4.5
25	R1331 325 00	6.6
30	R1331 330 00	9.3
40	R1331 340 00	17.0
50	R1331 350 00	24.0

Wiper seal must be ordered separately.

**Explanation of sample short product name**

KB	DR	C	2	20	WV	1200
Linear bushing	Torque	Compact	Two ball guide grooves	Ø 20	Shaft included	1,200 mm

See page 158 for more information on short product names.