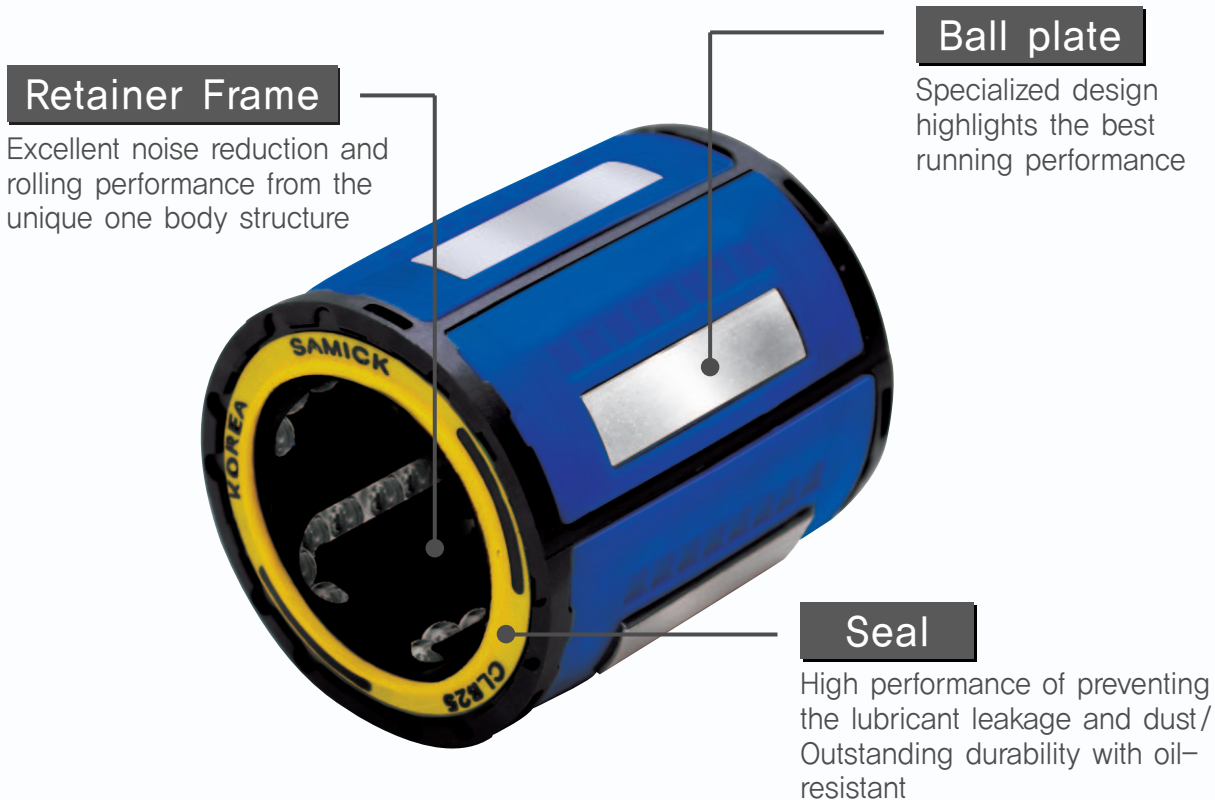


# Compact Linear Bushing

# CLB series

## Cost-Effective Linear Bearing



### Advantage

- Low cost Linear Bushing for most applications
- Small overall dimensions for especially compact construction
- Easy assembly : Just press in-no additional retention necessary
- Linear Bushing sets with aluminum or corrosion-resistant steel housing

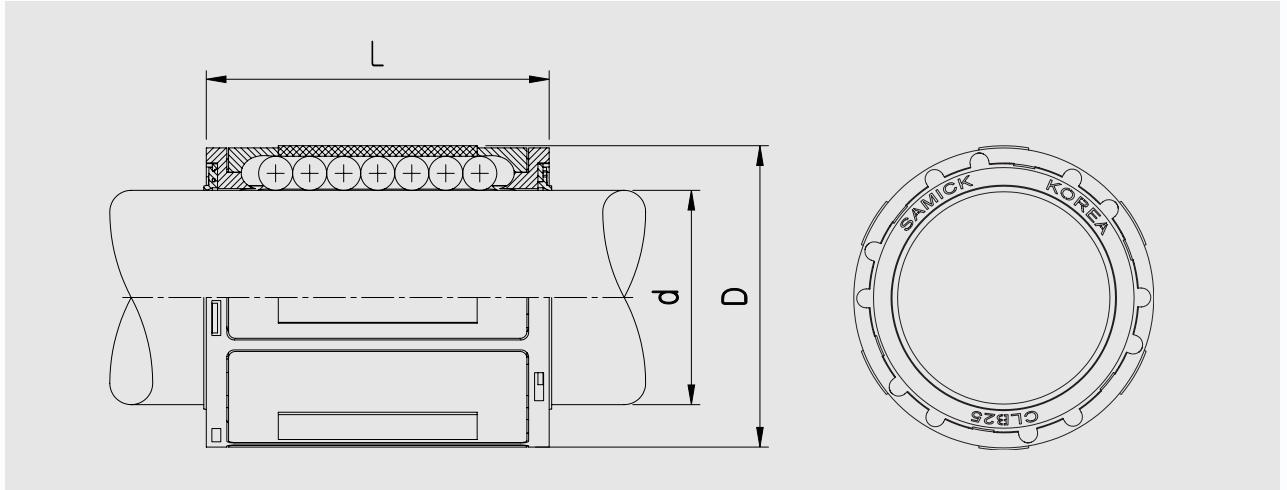


The compact Linear Bushing with its durable plastic housing is distinguished by its compact dimensions.

**SAMICK CLB** series is a cost-effective, ready-to-install Linear Bushing.



### Dimensions

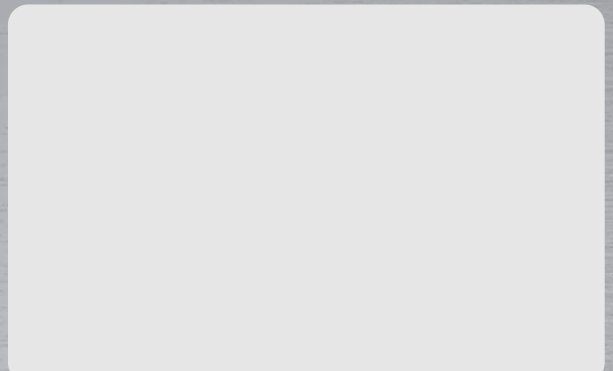


Shaft Diameter d(mm)	Part Number		No. of Ball Circuit	Dimension		Working Bore Diameter		Basic Load Rating(N) <sup>2)</sup>	
	Without Seal	With Seal		D <sup>1)</sup> (mm)	L(mm) ±0.2	dr (mm)	Clearance (μm)	Dynamic (C)	Static (C <sub>0</sub> )
12	CLB12	CLB12UU	4	19	28	12	+9	480	385
14	CLB14	CLB14UU	5	21	28	14		640	440
16	CLB16	CLB16UU	5	24	30	16	-1	925	625
20	CLB20	CLB20UU	6	28	30	20	+11 -1	1165	790
25	CLB25	CLB25UU	6	35	40	25		2100	1370
30	CLB30	CLB30UU	6	40	50	30		2870	2100

1) Based on nominal Housing bore

2) 1N ≙ 0.102kgf

Available at:



**SAMICK PRECISION IND.CO.,LTD.**  
[www.samick.eu](http://www.samick.eu)  
[marketing@samick.eu](mailto:marketing@samick.eu)