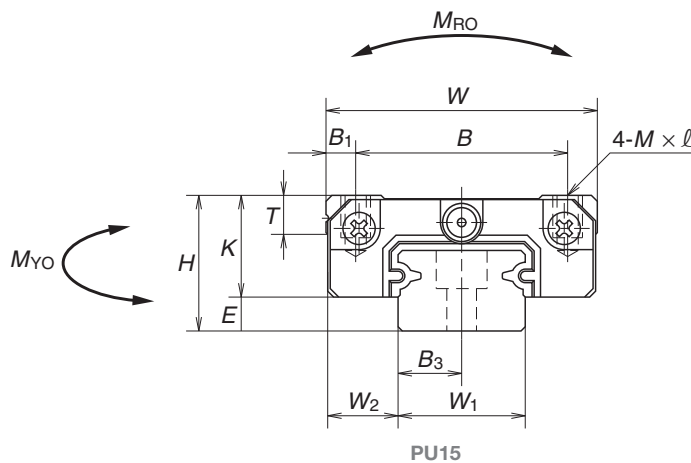
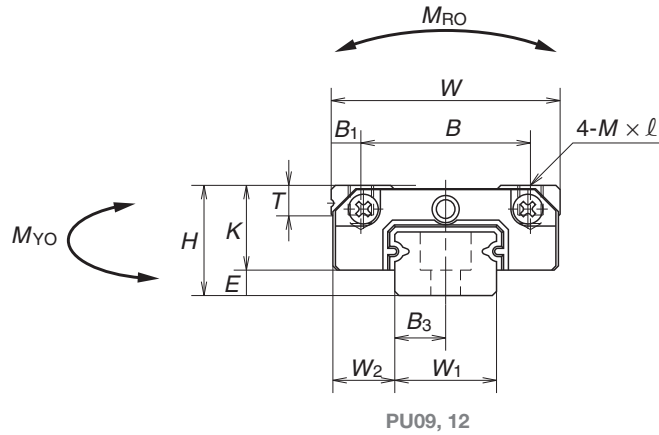


Linear Guides PU Series

Ball Slide Models: TR, AR, AL, UR, BL

Front view



Model No.	Assembly			Ball slide												
	Height <i>H</i>	<i>E</i>	<i>W</i> ₂	Width <i>W</i>	Length <i>L</i>	Mounting hole			<i>B</i> ₁	<i>L</i> ₁	<i>J</i> ₁	<i>K</i>	<i>T</i>	Grease fitting		
						<i>B</i>	<i>J</i>	<i>M</i> × pitch × <i>ℓ</i>						Mounting hole size	<i>T</i> ₁	<i>N</i>
PU09TR	10	2.2	5.5	20	30	15	10	M3×0.5×3	2.5	19.6	4.8	7.8	2.6	—	—	—
PU09UR					41		16			30.6	7.3					
PU12TR	13	3	7.5	27	35	20	15	M3×0.5×3.5	3.5	20.4	2.7	10	3.4	—	—	—
PU12UR					48.7		20			34.1	7.05					
PU15AL	16	4	8.5	32	43	25	20	M3×0.5×5	3.5	26.2	3.1	12	4.4	φ3	3.2	(3.6)
PU15BL					61		25			44.2	9.6					

Note: Basic dynamic load rating *C* is a load that allows for a 50-km rating fatigue life and is a vertical and constant load on the ball slide mounting surface.
To convert *C* to *C*₁₀₀ for a 100-km fatigue life, divide *C* by 1.26.

Part number for ball slide only

Example:

PAU 15 AL S - K

Random-matching ball slide

Accessories
K: With NSK K1

Size

Shape/height

S: Stainless steel

Part number for rail only

Example:

P1U 15 0470 R K N * PC T**

Random-matching rail

Size

Rail length (mm)

Shape (S: PU09-12, R: PU05-07-15)

Material/surface treatment

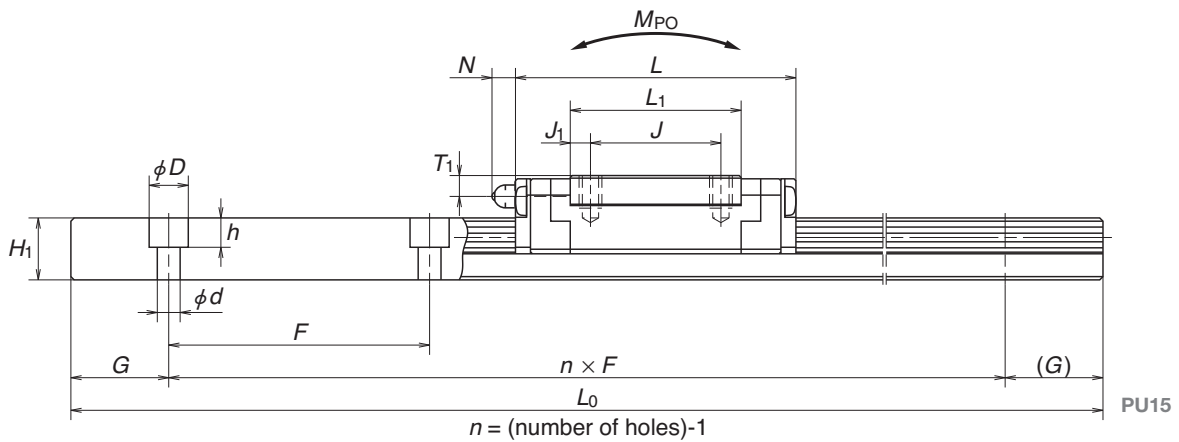
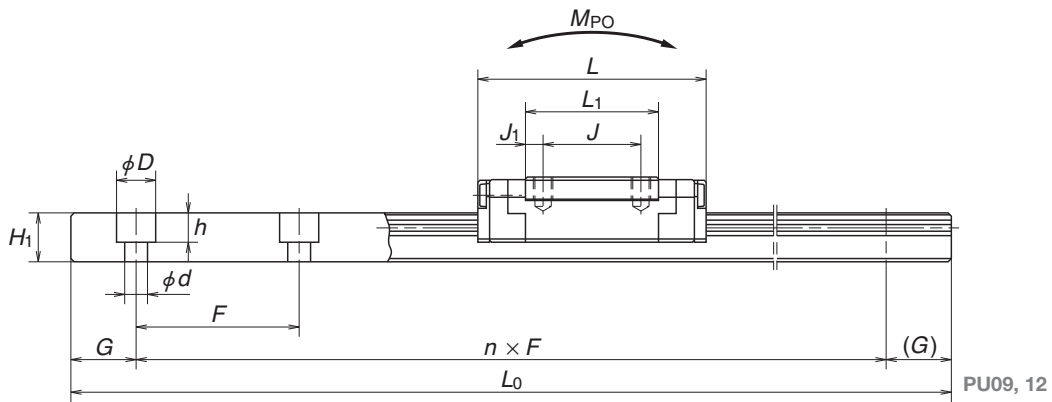
Preload
T: Fine clearance (standard)

Accuracy: PC
(only PC grade is available)

NSK control number
(*** is required when making inquiries)

Butting rail specification
N: Non-butting L: Butting

Side view



Unit: mm

Rail							Basic load rating					Ball diameter	Weight	
Width	Height	Pitch	Mounting bolt hole	B_3	G	Max. length (Single rail)	Dynamic	Static	Static moment			D_w	Ball slide (g)	Rail (g/100 mm)
W_1	H_1	F	$d \times D \times h$			L_{0max}	C (N)	C_0 (N)	M_{R0} (N·m)	M_{P0} (N·m)	M_{Y0} (N·m)			
9	5.5	20	3.5×6×4.5	4.5	7.5	600	1 490	2 150	10	6.1	6.1	1.5875	16	35
							2 100	3 500	16.4	15.6	15.6		25	
12	7.5	25	3.5×6×4.5	6	10	800	2 830	3 500	21.7	11.4	11.4	2.3812	32	65
							4 000	5 700	35	28.3	28.3		53	
15	9.5	40	3.5×6×4.5	7.5	15	1 000	5 550	6 600	49.5	25.6	25.6	3.175	59	105
							8 100	11 300	54.5	69.5	69.5		100	

Part number for assembly (ball slide + rail)

Example:

