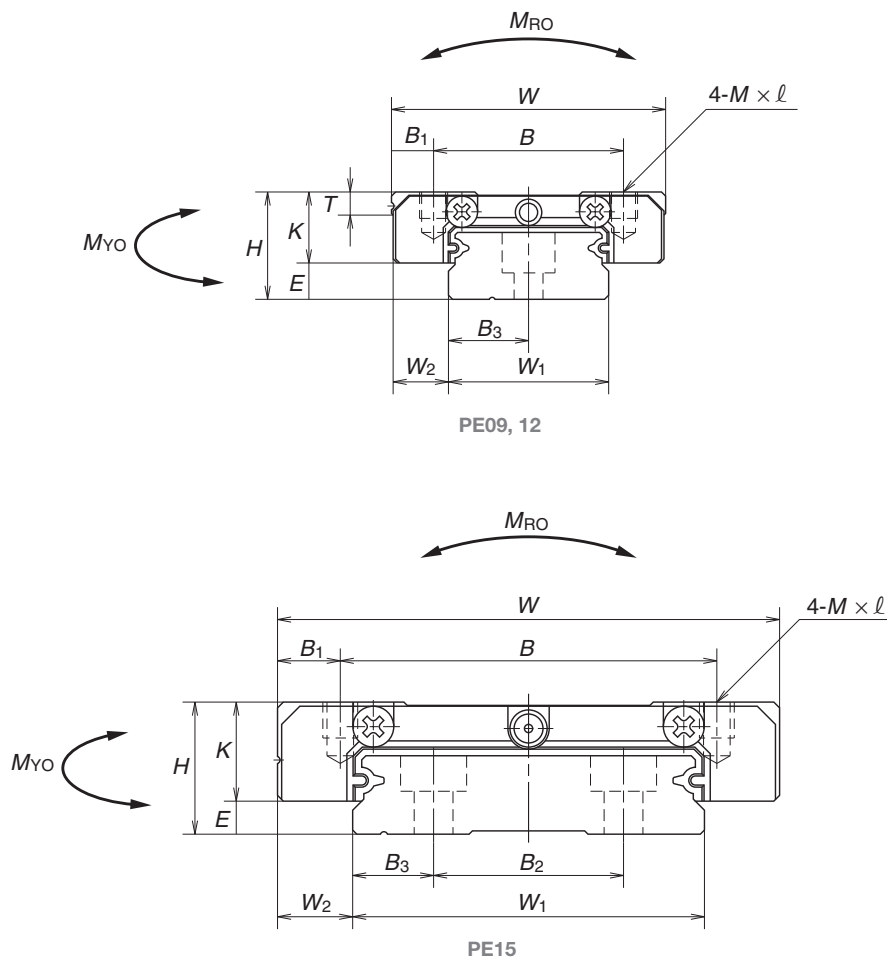


Linear Guides PE Series

Ball Slide Models: AR, TR, UR, BR

Front view



Model No.	Assembly			Ball slide												
	Height <i>H</i>	<i>E</i>	<i>W</i> ₂	Width <i>W</i>	Length <i>L</i>	Mounting hole			<i>B</i> ₁	<i>L</i> ₁	<i>J</i> ₁	<i>K</i>	<i>T</i>	Grease fitting		
						<i>B</i>	<i>J</i>	<i>M</i> × pitch × <i>l</i>						Mounting hole size	<i>T</i> ₁	<i>N</i>
PE09TR	12	4	6	30	39.8	21	12	M3×0.5×3	4.5	26.6	7.3	8	2.8	—	—	—
PE09UR					51.2	23	24		3.5	38	7					
PE12AR	14	4	8	40	45	28	15	M3×0.5×4	6	31	8	10	3.2	—	—	—
PE12BR					60		28			9	46					
PE15AR	16	4	9	60	56.6	45	20	M4×0.7×4.5	7.5	38.4	9.2	12	4.1	φ3	3.2	(3.3)
PE15BR					76		35			57.8	11.4					

Note: Basic dynamic load rating *C* is a load that allows for a 50-km rating fatigue life and is a vertical and constant load on the ball slide mounting surface.
To convert *C* to *C*₁₀₀ for a 100-km fatigue life, divide *C* by 1.26.

Part number for ball slide only

Example:

PAE 15 AL S - K

Random-matching ball slide

Accessories
K: With NSK K1

Size

Shape/height

S: Stainless steel

Part number for rail only

Example:

P1E 15 0470 R K N *** PC T

Random-matching rail

Size

Rail length (mm)

Shape (S: PE05-07-09-12, R: PE15)

Material/surface treatment

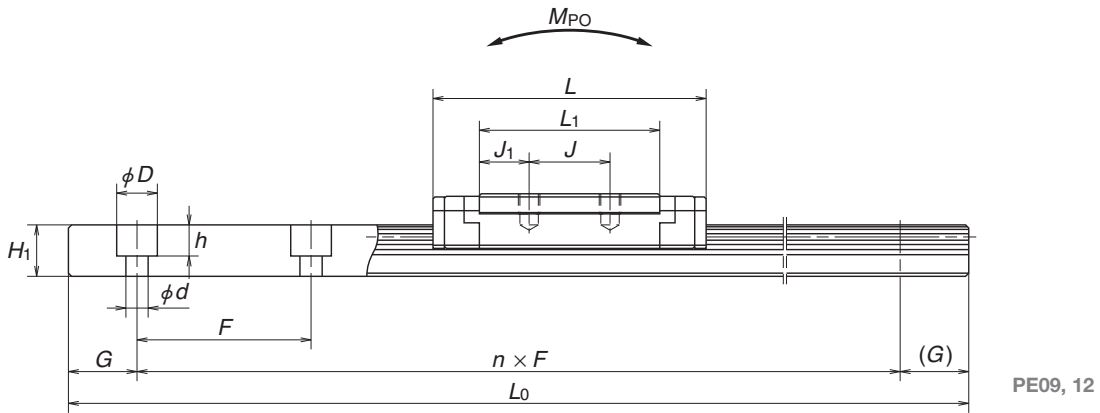
Preload
T: Fine clearance (standard)

Accuracy: PC (only PC grade is available)

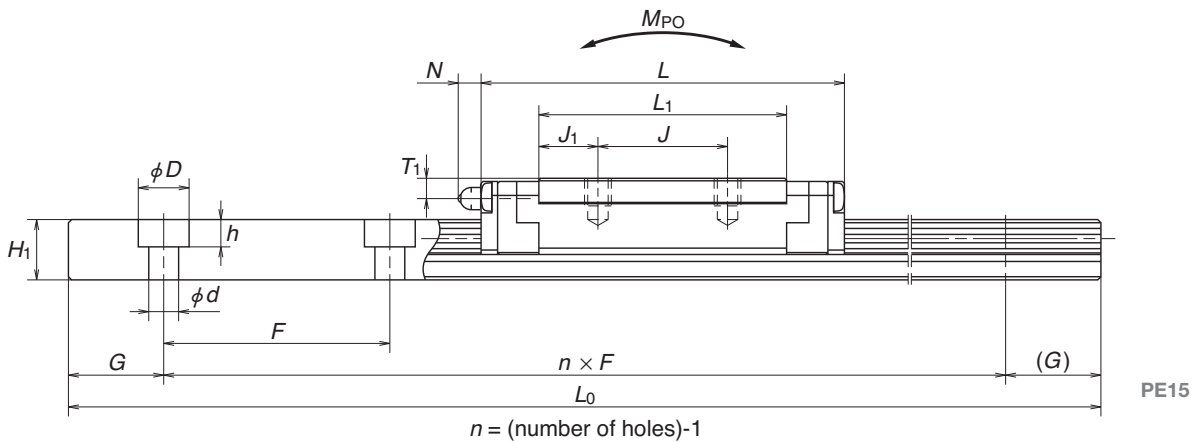
NSK control number (** is required when making inquiries)

Butting rail specification
N: Non-butting L: Butting

Side view



PE09, 12



PE15

$n = (\text{number of holes}) - 1$

Unit: mm

Rail								Basic load rating					Ball diameter	Weight	
Width	Height		Pitch	Mounting bolt hole			Max. length	Dynamic	Static	Static moment			Ball diameter	Ball slide	Rail
W_1	H_1	B_2	F	$d \times D \times h$	B_3	G	L_{0max}			C	C_0	M_{R0}			
18	7.5	—	30	3.5×6×4.5	9	10	800	3 000	4 500	36.5	17.3	17.3	2	35	95
								4 000	6 700	54.5	37.5	37.5		50	
24	8.5	—	40	4.5×8×4.5	12	15	1 000	4 350	6 350	70.5	29.3	29.3	2.3812	66	140
								5 800	9 550	106	63.5	63.5		98	
42	9.5	23	40	4.5×8×4.5	9.5	15	1 200	7 600	10 400	207	59	59	3.175	140	275
								10 300	16 000	320	135	135		211	

Part number for assembly (ball slide + rail)

Example:

