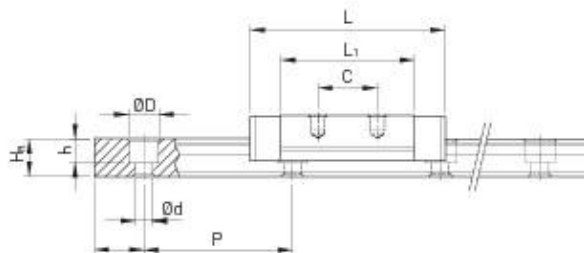
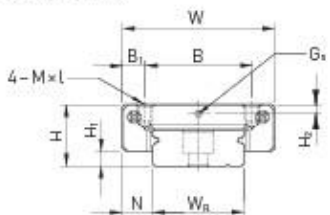
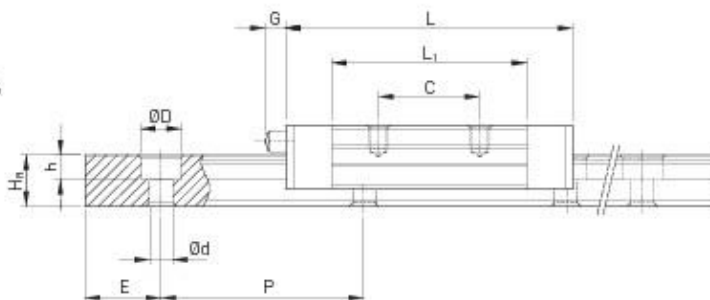
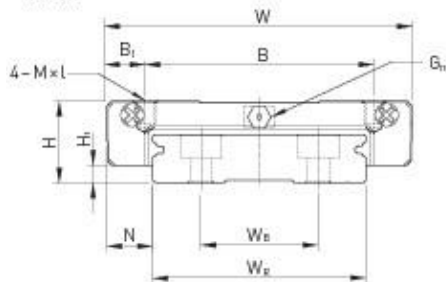


MGW7, MGW9, MGW12



MGW15



Installation dimensions [mm]	Dimensions of the block [mm]						Series/Size	Dynamic load C_{dyn} [N]*	Static load C_0 [N]
	W	B	C	L_1	L	$M \times l$			
H									
9	25	19,0	10	21	31,2	$M3 \times 3$	MGW07C	1370	2060
9	25	19,0	19	30,8	41,0	$M3 \times 3$	MGW07H	1770	3140
12	30	21,0	12	27,5	39,3	$M3 \times 3$	MGW09C	2750	4120
12	30	23,0	24	38,5	50,7	$M3 \times 3$	MGW09H	3430	5890
14	40	28,0	15	31,3	46,1	$M3 \times 3,6$	MGW12C	3920	5590
14	40	28,0	28	45,6	60,4	$M3 \times 3,6$	MGW12H	5100	8240
16	60	45,0	20	38	54,8	$M4 \times 4,2$	MGW15C	6770	9220
16	60	45,0	35	57	73,8	$M4 \times 4,2$	MGW15H	8930	13380

