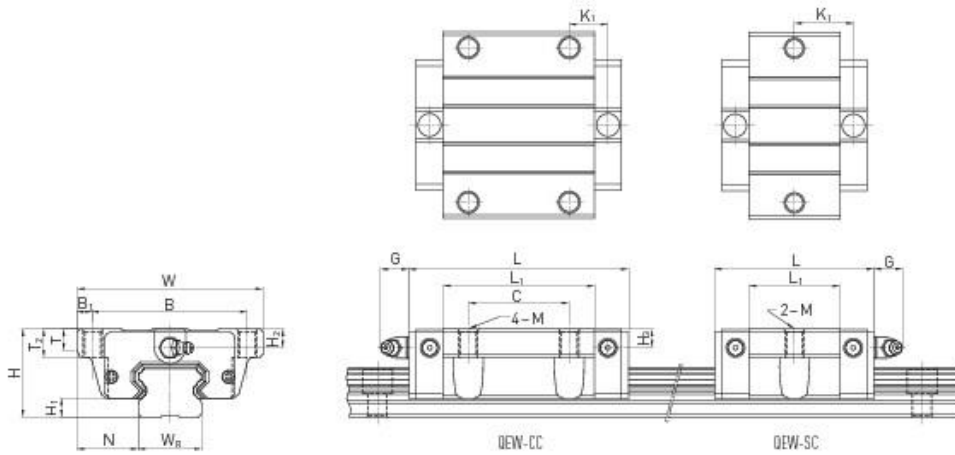


QEW

SC= normale flenswagen
 CC= extra lange flenswagen



Series Size	Installation dim. [mm]	Dimensions of the block [mm]						Dynamic load C_{dyn} [N]*	Static load C_0 [N]
	H	W	B	C	L ₁	L	M		
QEW15SC	24	52	41,0	0	23,1	40,1	M5	8560	8790
QEW15CC	24	52	41,0	26	39,8	56,8	M5	12530	15280
QEW20SC	28	59	49,0	0	29,0	50,0	M6	11570	12180
QEW20CC	28	59	49,0	32	48,1	69,1	M6	16500	20210
QEW25SC	33	73	60,0	0	35,5	60,1	M8	18240	18900
QEW25CC	33	73	60,0	35	59,0	83,6	M8	26030	31490
QEW30SC	42	90	72,0	0	41,5	67,5	M10	26270	27820
QEW30CC	42	90	72,0	40	70,1	96,1	M10	37920	46630
QEW35SC	48	100	82,0	0	51,0	76,0	M10	36390	36430
QEW35CC	48	100	82,0	50	83,0	108,0	M10	51180	59280