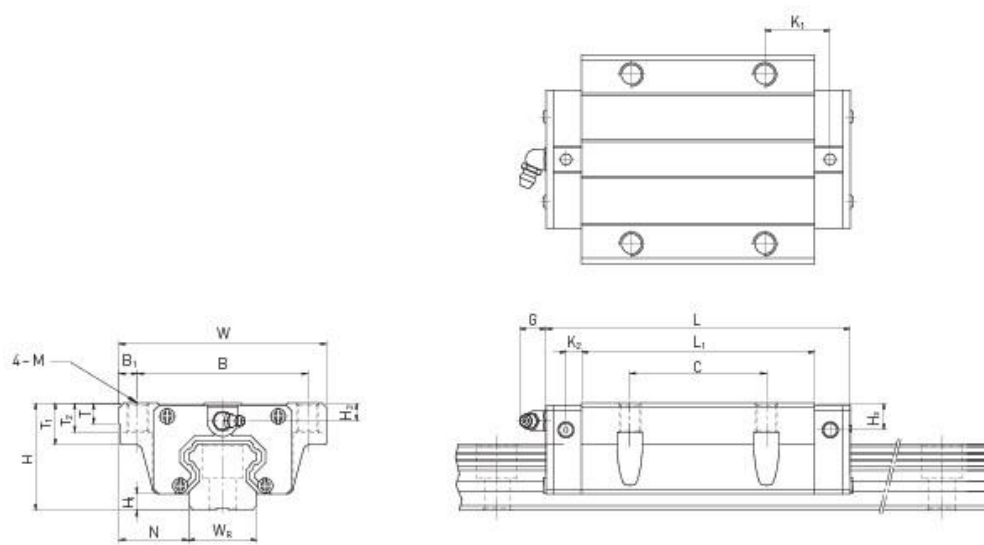


HGW-CC/HGW-HC



Series Size	Installation dim. [mm]	Dimensions of the block [mm]						Dynamic load C_{dyn} [N]*	Static load C_0 [N]
		H	W	B	C	L ₁	L		
HGW15CC	24	47	38,0	30	39,4	61,4	M5	11380	16970
HGW20CC	30	63	53,0	40	50,5	77,5	M6	17750	27760
HGW20HC	30	63	53,0	40	65,2	92,2	M6	21180	35900
HGW25CC	36	70	57,0	45	58,0	84,0	M8	26480	36490
HGW25HC	36	70	57,0	45	78,6	104,6	M8	32750	49440
HGW30CC	42	90	72,0	52	70,0	97,4	M10	38740	52190
HGW30HC	42	90	72,0	52	93,0	120,4	M10	47270	69160
HGW35CC	48	100	82,0	62	80,0	112,4	M10	49520	69160
HGW35HC	48	100	82,0	62	105,8	138,2	M10	60210	91630
HGW45CC	60	120	100,0	80	97,0	139,4	M12	77570	102710
HGW45HC	60	120	100,0	80	128,8	171,2	M12	94540	136460
HGW55CC	70	140	116,0	95	117,7	166,7	M14	114440	148330
HGW55HC	70	140	116,0	95	155,8	204,8	M14	139350	196200
HGW65CC	90	170	142,0	110	144,2	200,2	M16	163630	215330
HGW65HC	90	170	142,0	110	203,6	259,6	M16	208360	303130