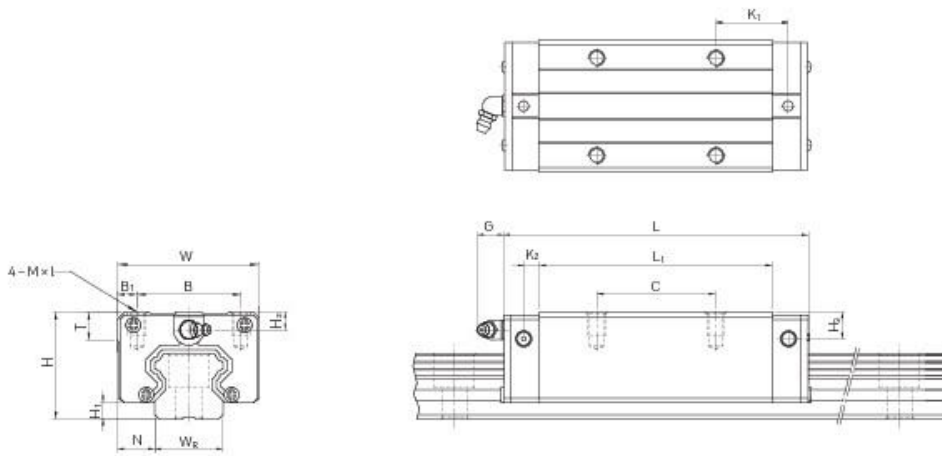


HGL-CA/HGL-HA



Series Size	Installation dim. [mm]	Dimensions of the block [mm]						Dynamic load C_{dyn} [N]*	Static load C_0 [N]
	H	W	B	C	L_1	L	M x I		
HGL15CA	24	34	26,0	26	39,4	61,4	M4 x 4	11380	16970
HGL25CA	36	48	35,0	35	58,0	84,0	M6 x 6	26480	36490
HGL25HA	36	48	35,0	50	78,6	104,6	M6 x 6	32750	49440
HGL30CA	42	60	40,0	40	70,0	97,4	M8 x 10	38740	52190
HGL30HA	42	60	40,0	60	93,0	120,4	M8 x 10	47270	69160
HGL35CA	48	70	50,0	50	80,0	112,4	M8 x 12	49520	69160
HGL35HA	48	70	50,0	72	105,8	138,2	M8 x 12	60210	91630
HGL45CA	60	86	60,0	60	97,0	139,4	M10 x 17	77570	102710
HGL45HA	60	86	60,0	80	128,8	171,2	M10 x 17	94540	136460
HGL55CA	70	100	75,0	75	117,7	166,7	M12 x 18	114440	148330
HGL55HA	70	100	75,0	95	155,8	204,8	M12 x 18	139350	196200