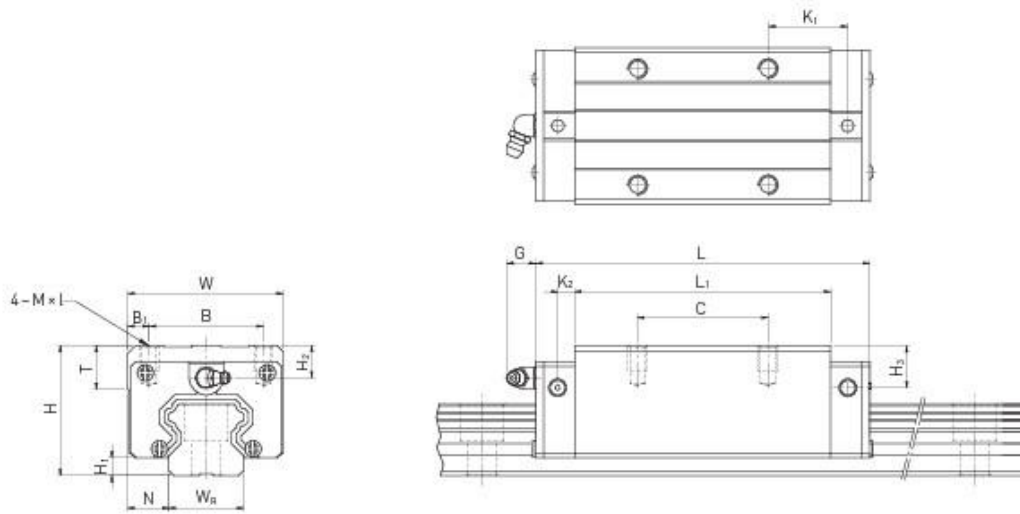


HGH-CA/HGH-HA



Series Size	Installation dim. [mm]	Dimensions of the block [mm]						Dynamic load C_{dyn} [N]*	Static load C_0 [N]
		H	W	B	C	L_1	L		
HGH15CA	28	34	26,0	26	39,4	61,4	M4 x 5	11380	16970
HGH20CA	30	44	32,0	36	50,5	77,5	M5 x 6	17750	27760
HGH20HA	30	44	32,0	50	65,2	92,2	M5 x 6	21180	35900
HGH25CA	40	48	35,0	35	58,0	84,0	M6 x 8	26480	36490
HGH25HA	40	48	35,0	50	78,6	104,6	M6 x 8	32750	49440
HGH30CA	45	60	40,0	40	70,0	97,4	M8 x 10	38740	52190
HGH30HA	45	60	40,0	60	93,0	120,4	M8 x 10	47270	69160
HGH35CA	55	70	50,0	50	80,0	112,4	M8 x 12	49520	69160
HGH35HA	55	70	50,0	72	105,8	138,2	M8 x 12	60210	91630
HGH45CA	70	86	60,0	60	97,0	139,4	M10 x 17	77570	102710
HGH45HA	70	86	60,0	80	128,8	171,2	M10 x 17	94540	136460
HGH55CA	80	100	75,0	75	117,7	166,7	M12 x 18	114440	148330
HGH55HA	80	100	75,0	95	155,8	204,8	M12 x 18	139350	196200
HGH65CA	90	126	76,0	70	144,2	200,2	M16 x 20	163630	215330
HGH65HA	90	126	76,0	120	203,6	259,6	M16 x 20	208360	303130