

3.3.9.2 CGW

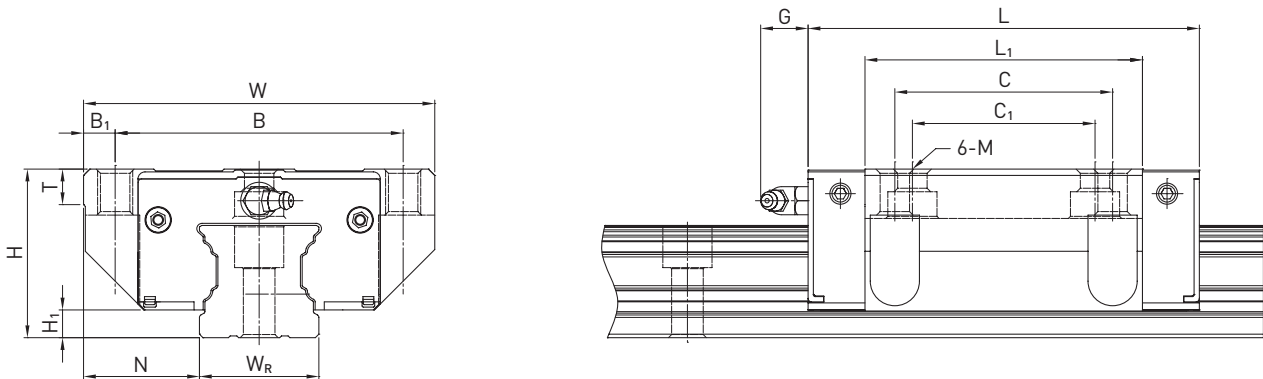


Table 3.49 Dimensions of the block

Series/ size	Installation dimensions [mm]			Dimensions of the block [mm]											Load ratings [N]	
	H	H ₁	N	W	B	B ₁	C	C ₁	L ₁	L	G	M	T	C _{dyn}	C ₀	
CGW15CC ¹⁾	24	4.1	16.0	47	38	4.5	30	26	39.2	58.2	6.0	M5	6.0	13,800	18,020	
CGW15HC ¹⁾									53.6	72.6						
CGW20CC	30	4.6	21.5	63	53	5.0	40	35	52.5	74.9	6.0	M6	6.5	23,700	30,510	
CGW20HC ¹⁾																
CGW25CC	36	6.1	23.5	70	57	6.5	45	40	61.0	84.0	12.0	M8	7.0	34,960	43,940	
CGW25HC ¹⁾																
CGW30CC	42	7.0	31.0	90	72	9.0	52	44	69.0	97.4	12.0	M10	10.5	46,000	55,190	
CGW30HC ¹⁾																
CGW35CC	48	7.6	33.0	100	82	9.0	62	52	79.0	111.4	12.0	M10	10.1	61,170	79,300	
CGW35HC ¹⁾																
CGW45CC ¹⁾	60	9.7	37.5	120	100	10.0	80	60	97.8	137.8	12.9	M12	15.1	97,630	133,000	
CGW45HC ¹⁾																

¹⁾ Availability on request

For dimensions of rail, see Page 68. for standard and optional lubrication adapter, see Page 124.